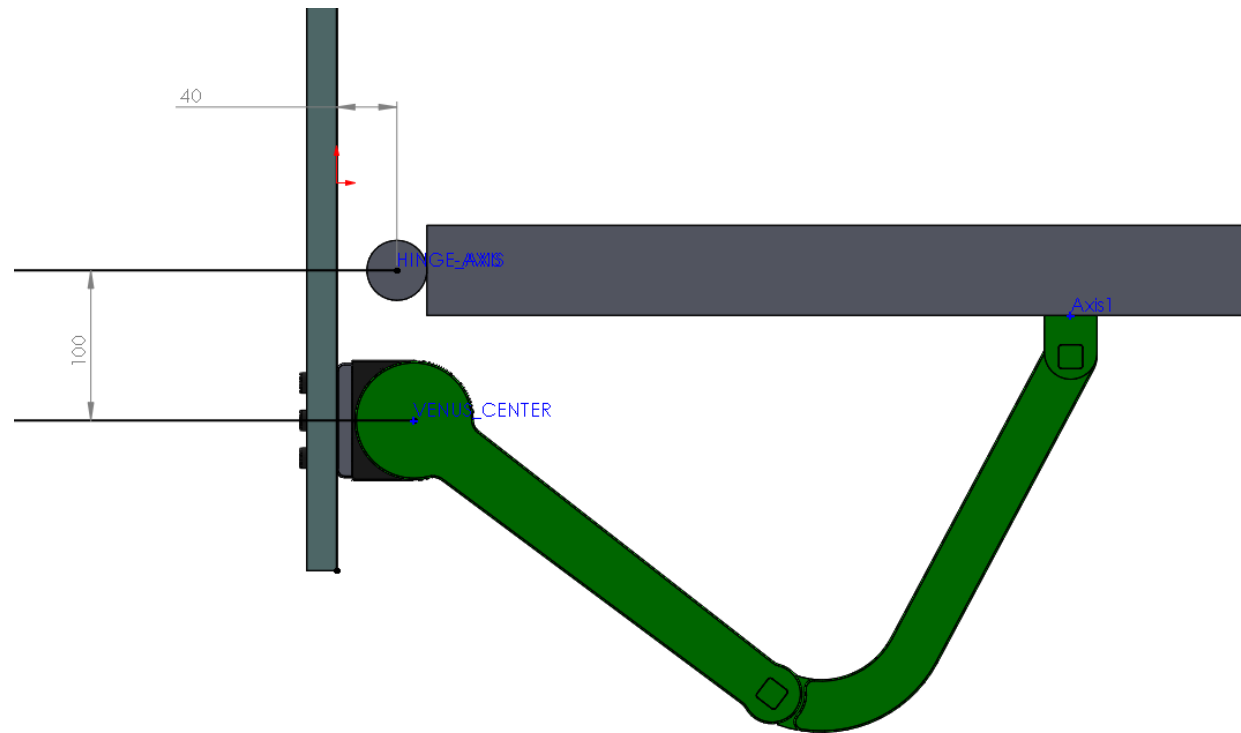
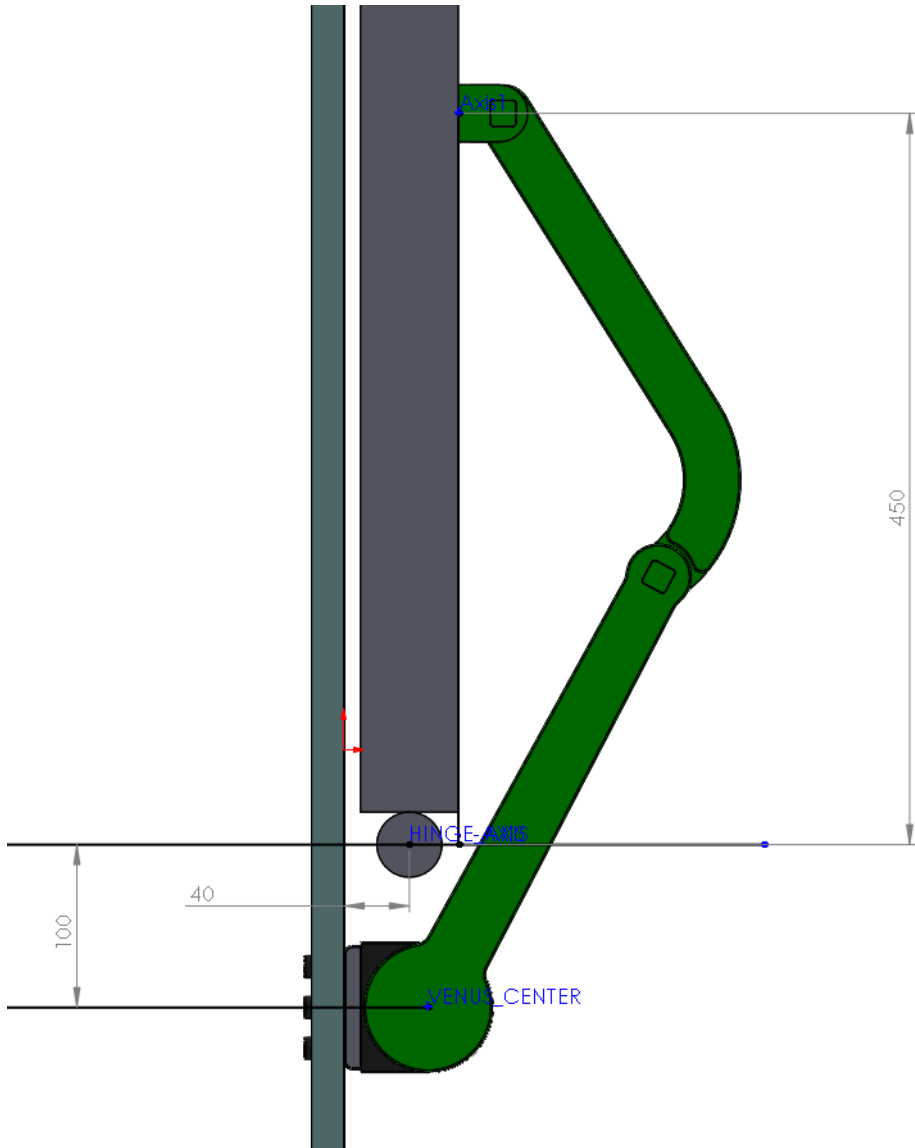


VENUS-A: PUSH OPTIONS

VENUS-A / WALL

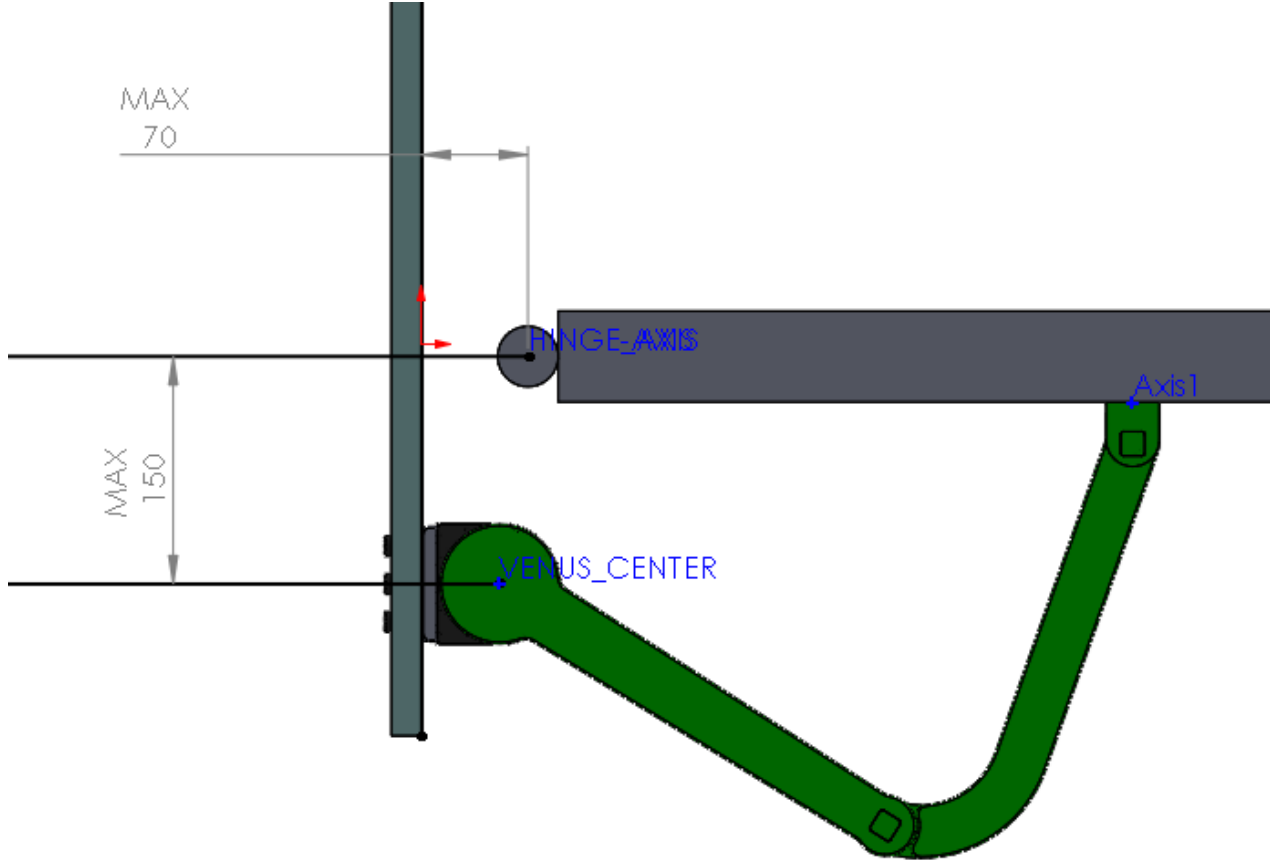
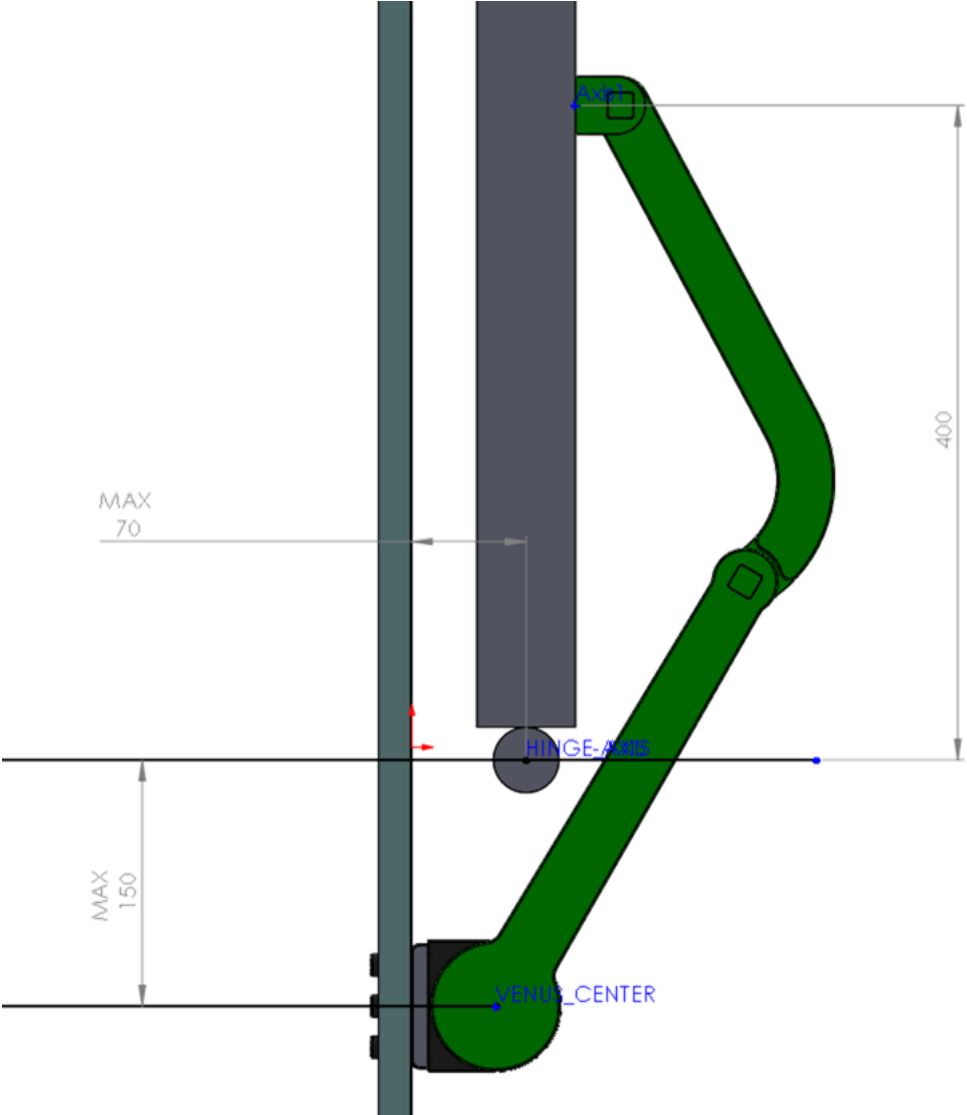
VENUS ON A WALL

IDEAL DIMENSIONS



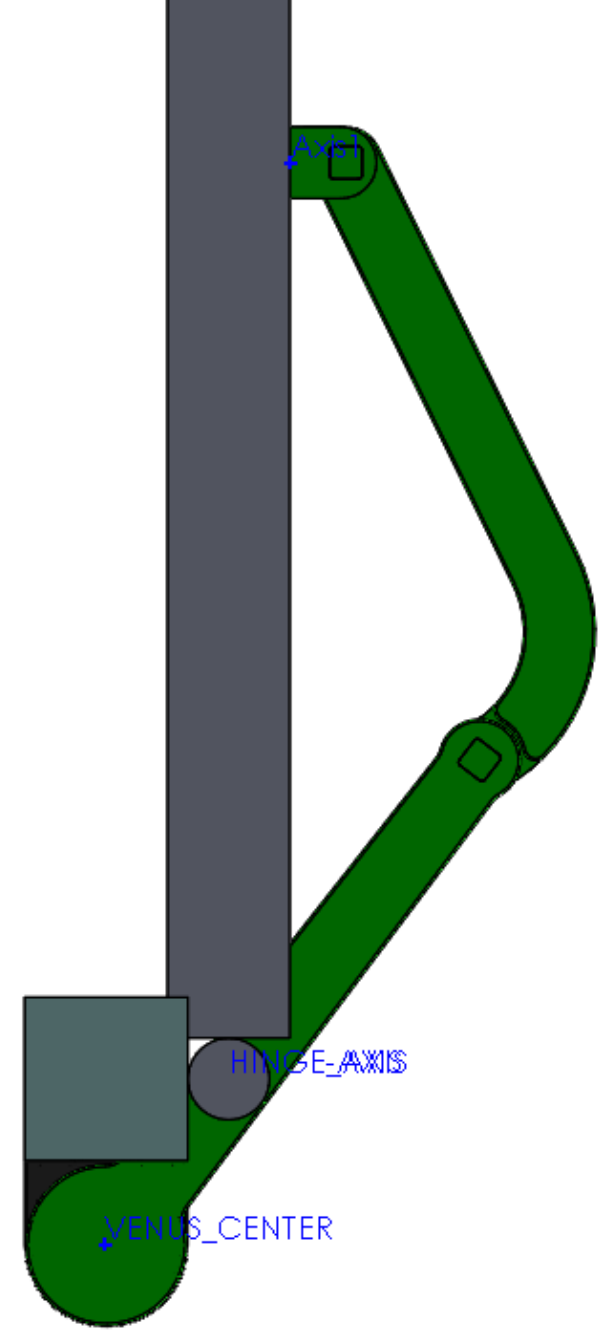
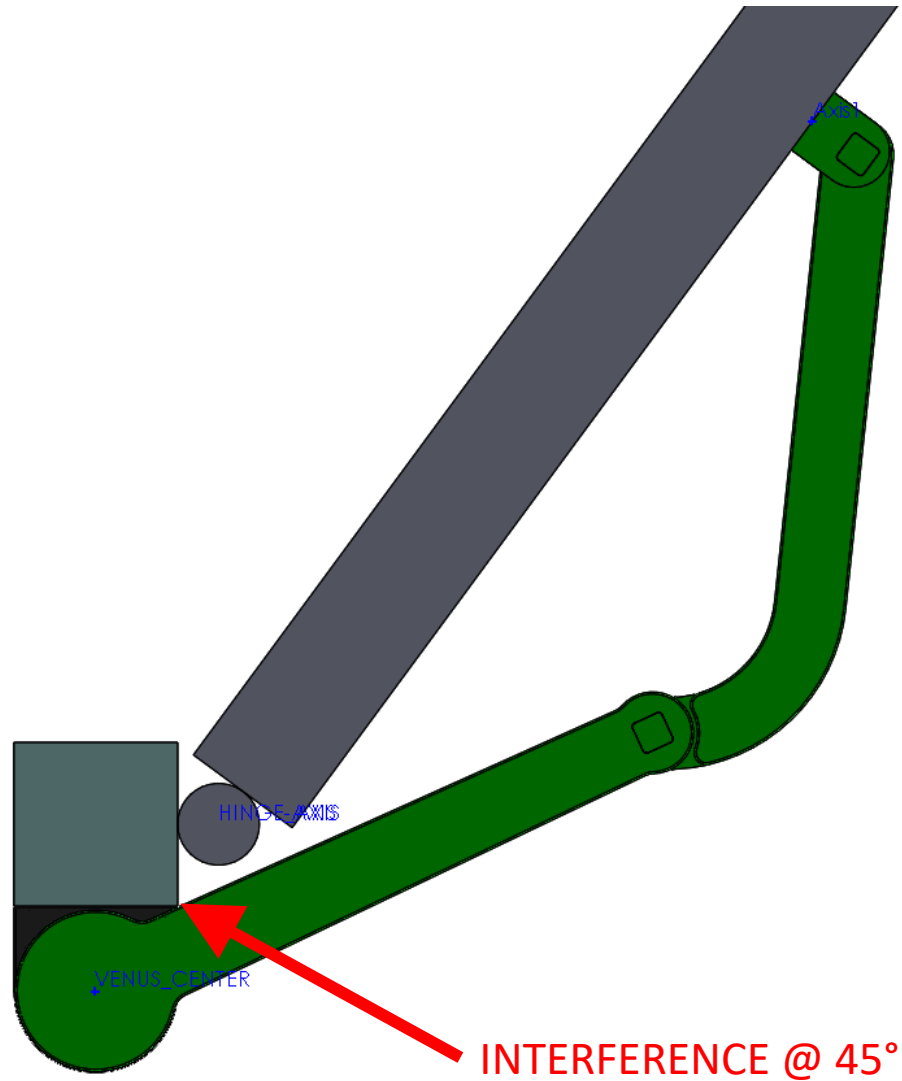
VENUS ON A WALL

MAX DIMENSIONS



VENUS-A / POST

VENUS ON A POST
INTERFERENCE ISSUE (1/2)

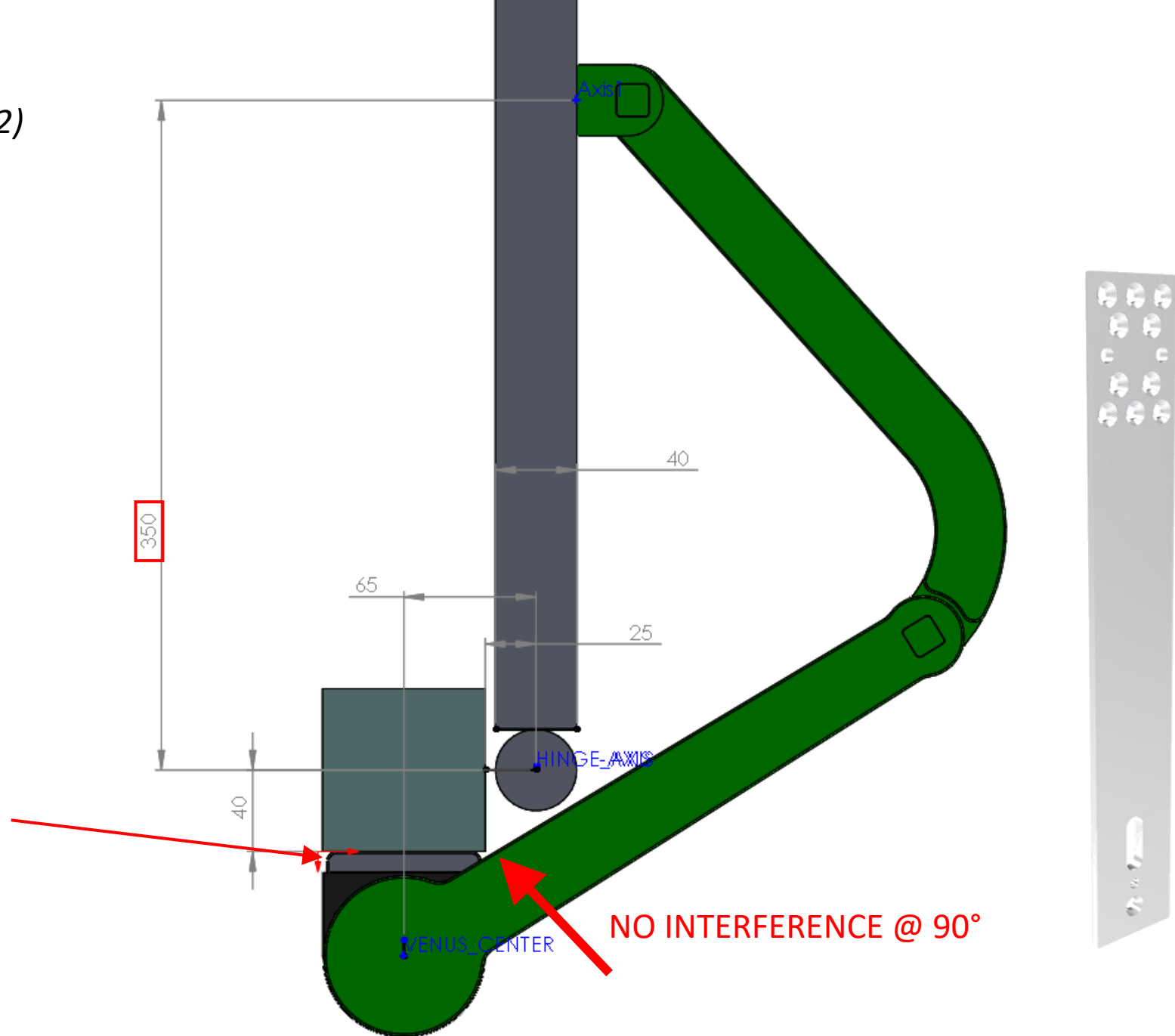


VENUS ON A POST INTERFERENCE ISSUE (2/2)

To solve the interference problem, the installer can reduce the distance from the fixation point of the arm to the hinge center.

! Reducing this distance reduces the maximum motor torque on the gate.

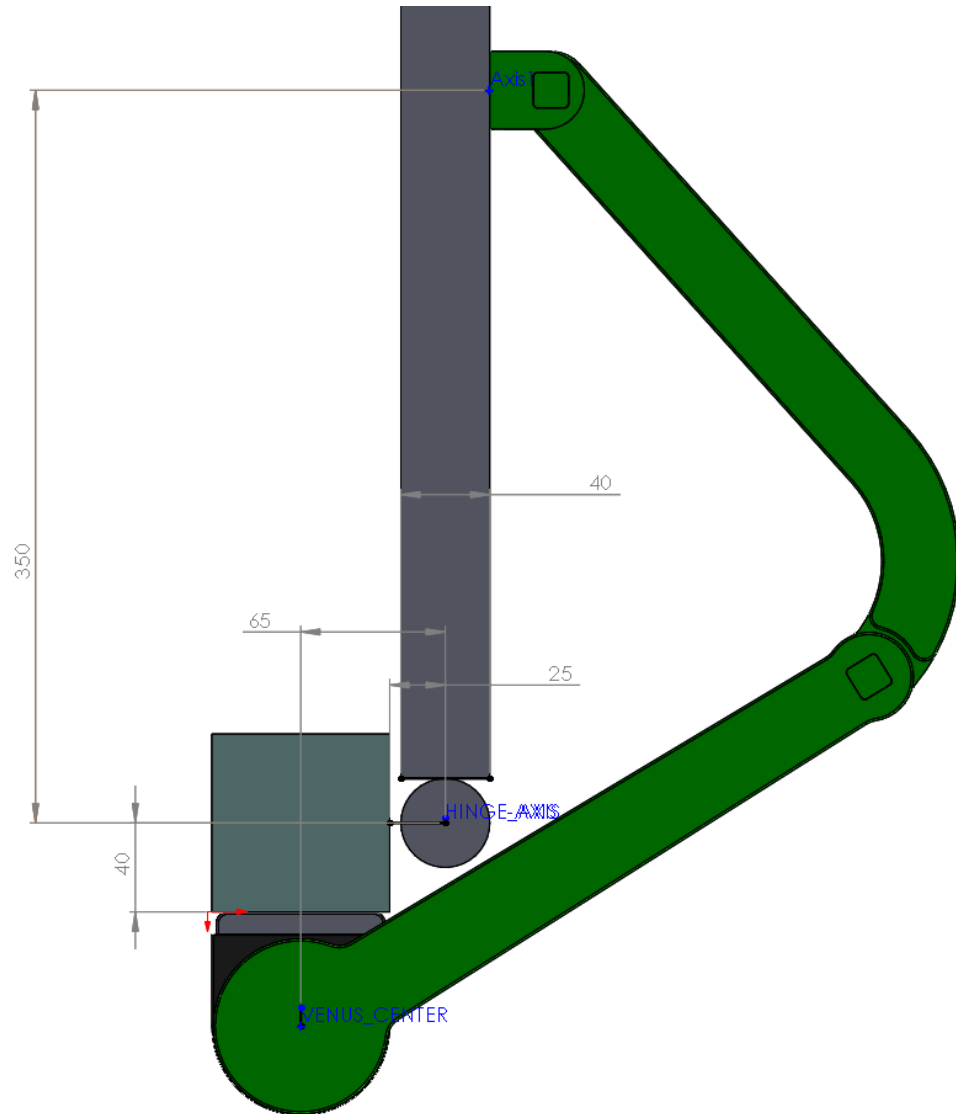
Adding the adapter plate in between the post and the motor also helps to solve the interference between the arm and the edge of the post.



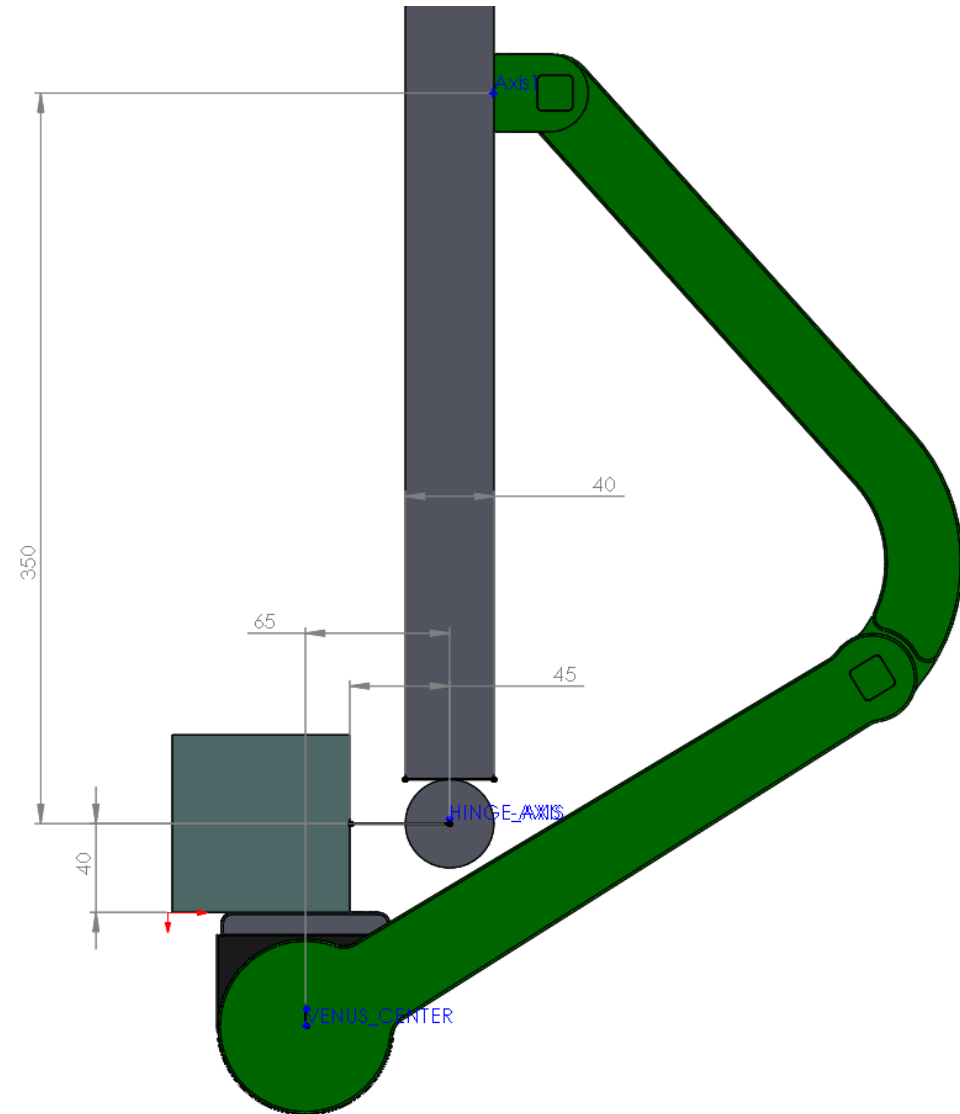
VENUS ON A POST

ADAPTERPLATE OPTIONS

[Manual adapterplate](#)



ADAPTERPLATE CENTERED



ADAPTERPLATE OFFSET