

# Operation Instructions

Make your choice...

## Moving Type Human Figure Recognition Sensor



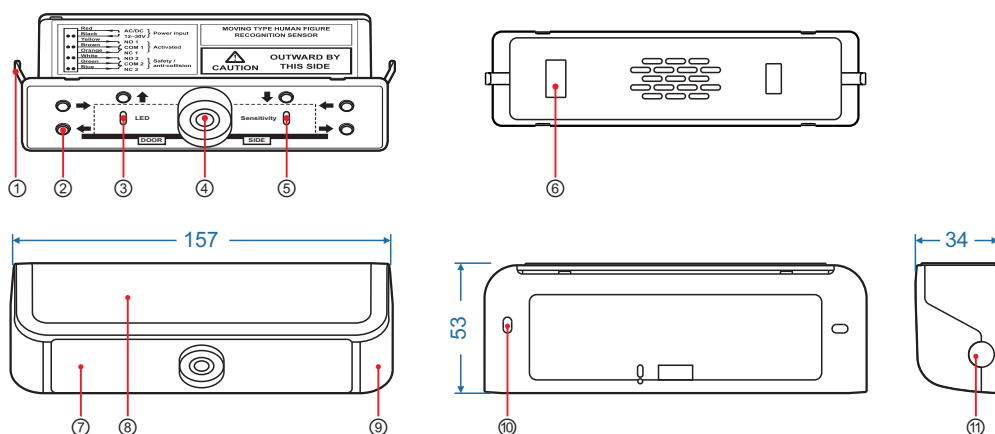
### 1 Safety Instruction



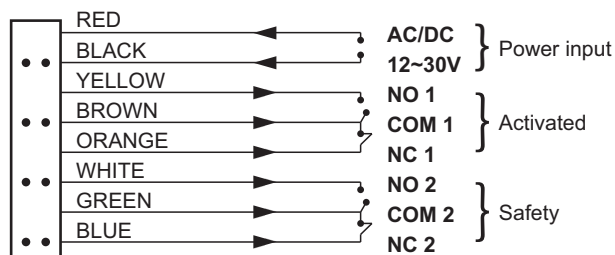
Thank you very much for purchasing this products, in order to use it correctly, please read this manual carefully before use it.

### 2 Product Overview

- ① Metal shrapnel
- ② Sensing range adjustment button x 6
- ③ LED indicator light
- ④ Camera
- ⑤ Sensitivity adjustment button
- ⑥ Wiring terminal
- ⑦ Front cover
- ⑧ Top cover
- ⑨ Bottom case
- ⑩ Mounting screw holes
- ⑪ Mounted threading hole



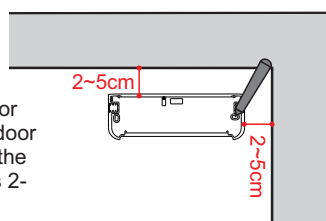
### 3 Wiring Diagram



### 4 Installation

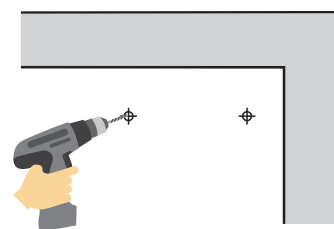
[1]

Place the bottom case of the sensor in the appropriate position on the door leaf, and mark the position where the holes need to drilled.(the sensor is 2-5cm away from the door edge)



[2]

Drill the mounting holes according to the mark on the door.

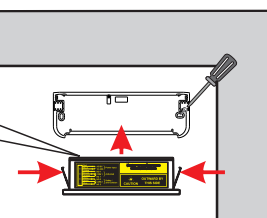


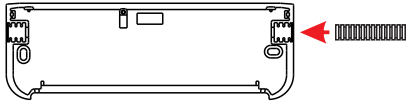
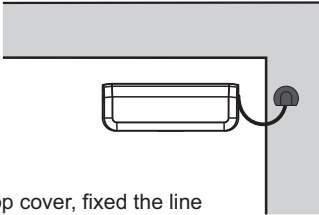
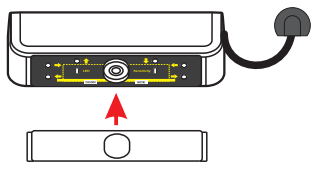
[3]

#### Attentions

The scanning range of this series of sensors is unidirectional, when installation on site, please put the "Outward by this side" sign towards the human figure induction direction.

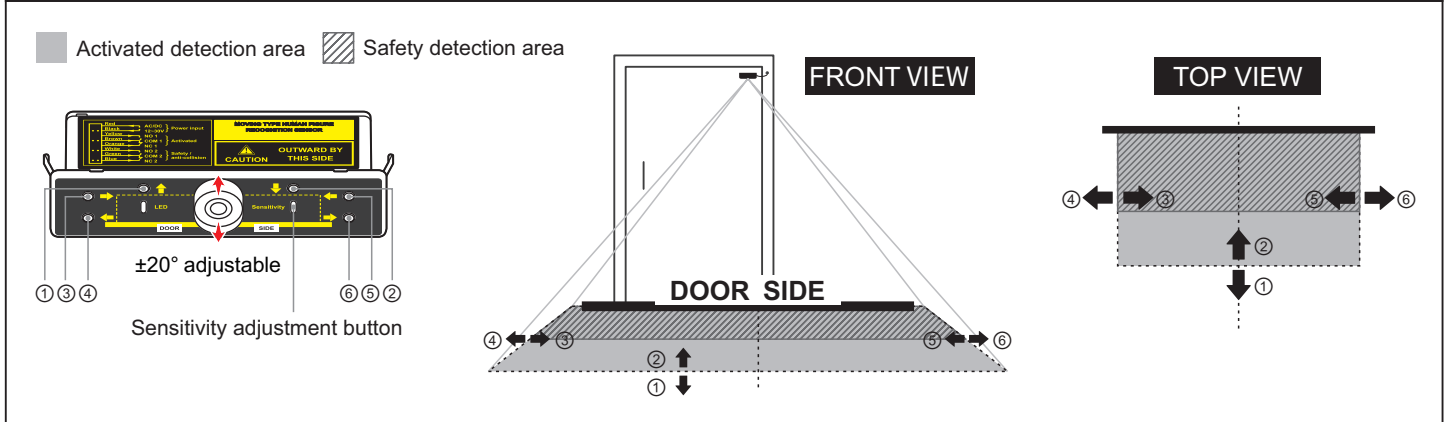
Fix the sensor's bottom case by screws, tight the metal shrapnel on the both sides of the sensor, and place the sensor into the bottom case.



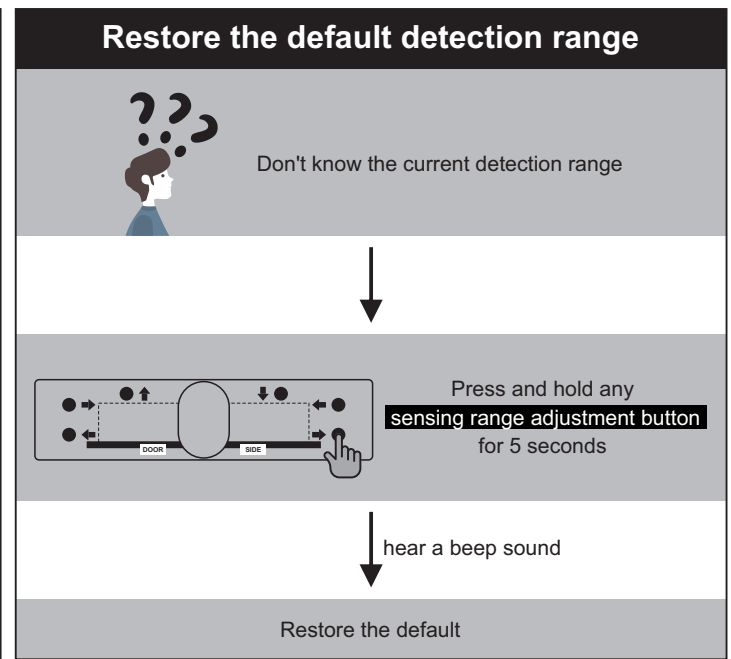
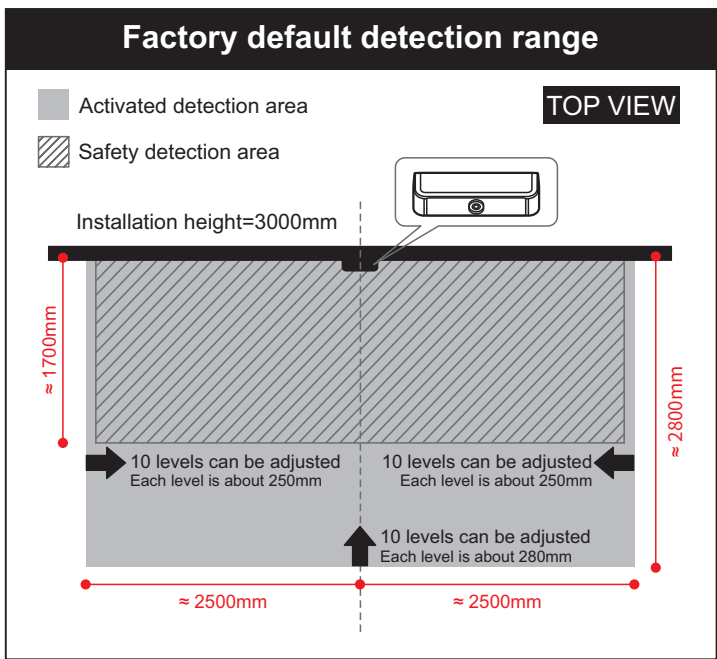
<p>[4]</p>  <p>The matching wire pipe is covered on the automatic door machine connection line, and press it into the line slot to fixed.</p>	<p>[5]</p>  <p>Close the top cover, fixed the line with U-shaped, makes the door won't clip the line when it rotates.</p>	<p>[6]</p>  <p>Debugging is completed, close the semi-transparent cover (refer to step 5 to debugging).</p>
--	--	---

## 5 Adjustment

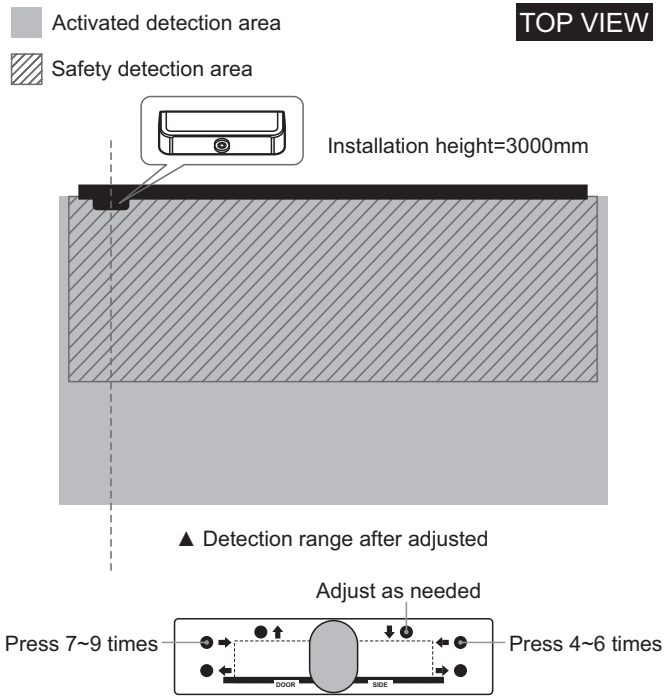
<h3>Startup</h3>	<p>About 30 seconds after power-on, it is the start time of the internal program of the sensor, until you hear a long sound of "beep -", indicating that the sensor enters the working state.</p>
<h3>Sensitivity</h3>	<p>Each time you press the <b>sensitivity adjustment button</b>, sensitivity is switched once, low sensitivity (three beep sounds), medium sensitivity (two beep sounds), high sensitivity (one beep sound), in total of three working mode adjustable(The factory defaulted is high sensitivity).</p>
<h3>Detection range</h3>	<p>1) Camera's angle is <math>\pm 20^\circ</math> adjustable, detection range will move as a whole.          2) In the standby state, press the <b>sensing range adjustment button</b>, to adjust the <b>activated</b> detection area.          3) Press and hold the <b>sensitivity adjustment button</b> for 3 seconds, blue LED light flashes, and press the <b>sensing range adjustment button</b>, to adjust the <b>safety</b> detection area(if no operations within 10 seconds, it will exit safety detection area adjustment.)</p>



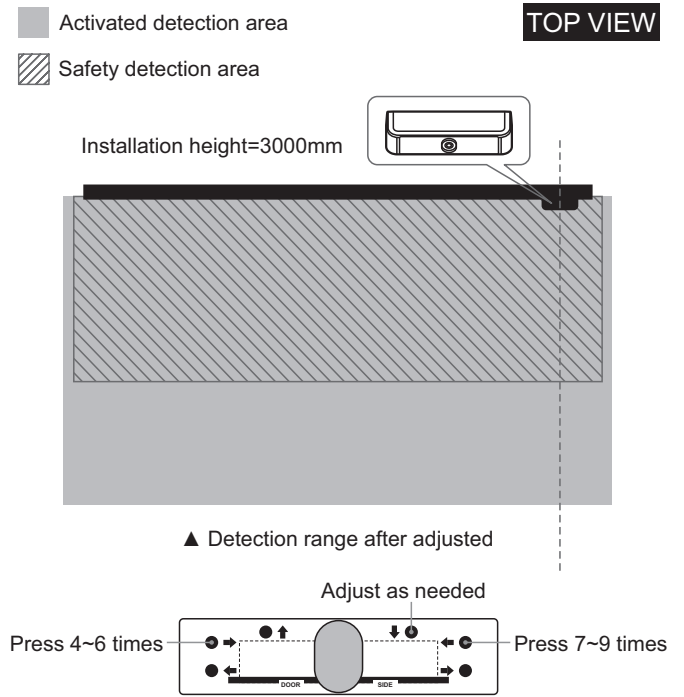
4) Every time you press the sensing range adjustment button, the detection range of the every corresponding edge (as shown in the figure) will move 1 level, total of 10 levels, until the sensor have beep beep sounds, means the detection range has been adjusted to limit, the limiting position of edge ③⑤ is center line.



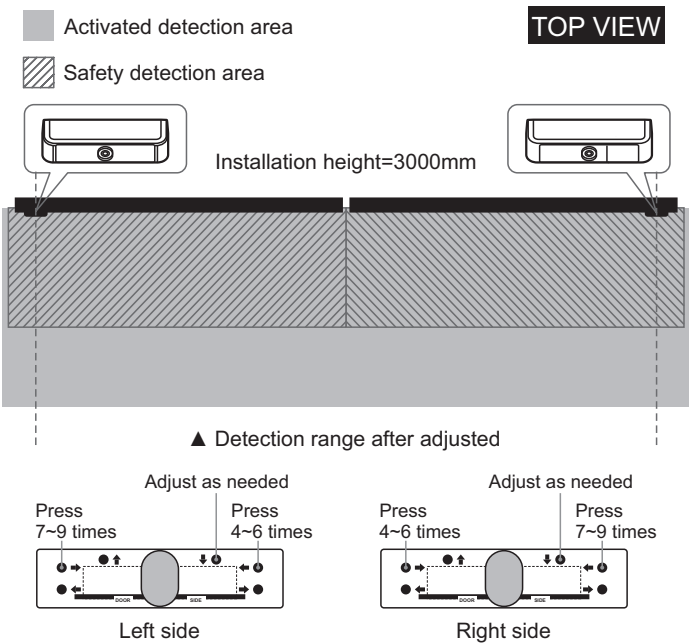
## When installed in the left side of door



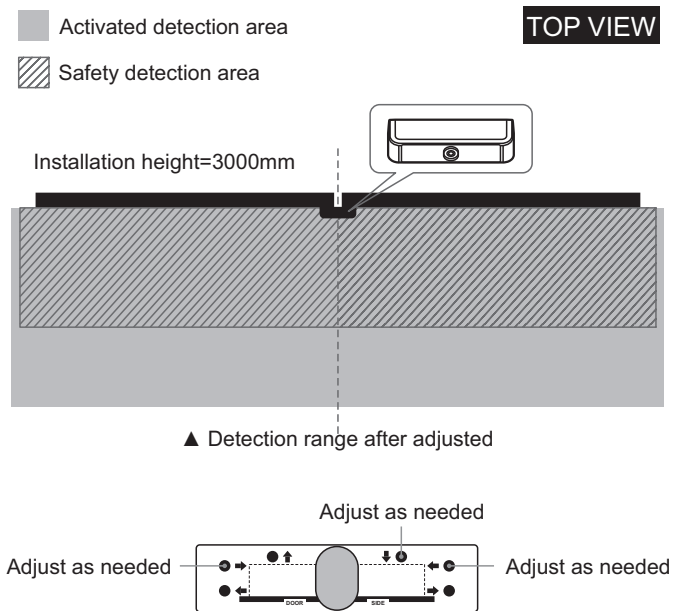
## When installed in the right side of door



## When installed in the double doors



## When installed in the center of door



\* The above for your reference, please make adjustments under the site conditions.

## 6 Troubleshooting

Failures	Possible reasons	Improvements
LED indicator light off	The sensor is not connected to power supply	Check the cable connection, and whether power supply is normal
Red light is always on, but door won't be opened	Wiring fault	Check and adjust the wiring, re-power on
1, Detection isn't sensitive enough; 2, Object movement leads to false triggering.	Sensitivity is too low or too high	Adjust the sensitivity
People near to the doors, but activated/safety function don't work	Detection range adjustment deviation	Restore the default detection range and adjust it again



Due to the limitations of AI Neural Network deep learning, in some special scenes, the system will output certain confidence for some non-human figure objects (similar human figure), and it is possible to output signal. Please try to solve the problem by the following methods:

- 1, Rotate the position of the objects, may not be recognized as a human figure.
- 2, Reduce the sensitivity.
- 3, Adjust the lens angle of camera or adjust the detection selection area, so as to avoid the object appearing in the screen.

## 7 Technical parameters

Detection function:	human figure activated, safety
Camera pixel:	HD 1080P
Response speed:	100ms
View angle adjustment:	±20°
LED indicator:	standby in BLUE, activated in RED, safety in RED light flashes
Power supply:	AC/DC 12-30V
Current:	Standby 95mA, action 130mA
Working temperature:	-20°C~60°C
Working humidity:	10%~90%RH
Installation height(max):	5 meters
Dimension:	157(L)x53(W)x34(H)mm

## 8 Packing list

NO.	ITEM	PCS	REMARK
1	Sensor	1	sensor, and 3 covers
2	8-Pin cable	1	2500mm
3	Wire pipe	1	400mm
4	Exposed installation bracket	2	
5	Screws bag	1	
6	Installation instructions	1	